

# NH FUSE SWITCH DISCONNECTOR 1 POLE

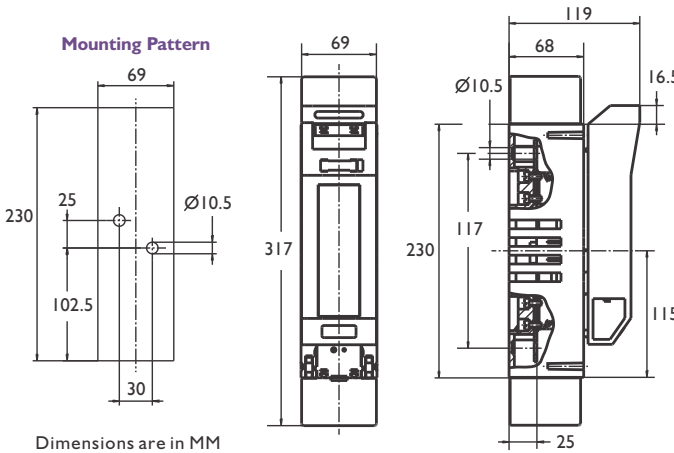


Part Number	Description
4122038	Single pole fuse disconnector

**Voltage:** 1000VDC **Rating:** 160A  
**Suit Fuse:** Battery Fuses (p65), PV Fuses (p66)  
**Cable Size:** 25mm<sup>2</sup> to 240mm<sup>2</sup>  
**Mounting:** Screw mount (vertical or horizontal)  
**Ingress Protection:** IP20, IP10 (front side device fitted)  
**Overvoltage Category:** III  
**Utilization Category:** DC-20B  
**Notes:** Fuse not included.



NH Fuse Disconnecter



Dimensions are in MM



Battery Fuse  
550VDC  
Size I (p65)



PV NH Fuse  
1000VDC  
Size I (p66)

# NH PV SIZE 01XL, 1XL, 2XL & 3L SCREW MT. FUSE BASE



Bussmann

XL Fuse Bases 1500V With Integrated Shields

Original Part Number	Revised Part Number	Fuse Body Sizes	Ampere Rating	Power Acceptance
SB1XL-S	SD1XL-S-PV	01XL, 1XL	200A	57 Watts
SB2XL-S	SD2XL-S-PV	2XL	400A	75 Watts
SB3L-S	SD3L-S-PV	3L	500A	108 Watts

**Voltage:** 1500VDC  
**Fuse Clips:** Silver plated copper.  
**Flammability Rating:** Base: UL 94 V2. Shields: UL 94 V0.  
**IP Rating:** IP20 with terminal shields & gripping lug cover fitted.  
**Terminal Torque:** 32Nm.  
**Mounting:** Panel, Screw mount.  
**Suit Fuse:** PV full blade XL size fuses (p67).  
**Fuse Extraction Handle:** # FEH-1500 (p150).  
**Notes:** Fuse not included.  
**Approvals:** IEC 60269-1, UL & CSA pending. RoHS

Scan this QR Code for more information



QR Code: 7012



NH PV Fuse Base  
With Integral Shields



PV NH Style Fuses  
Sizes 01XL-3L (p67)

HOLDERS



Email: sales@swe-check.com.au  
 Phone: (+61) 03 9521 6133