

BATTERY FUSE - MARINE RATED 58V

IP66 IGNITION PROTECTED

Marine Rated Battery Fuses - Designed for the most demanding environment to provide high current protection for the tightest space constraints. Suitable for main and auxiliary circuit protection such as alternator outputs, starter motor inputs, and accessory circuits. The breaking capacity meets the requirements of conventional vehicle batteries and 12V, 24V and 42V electrical networks.

Features:

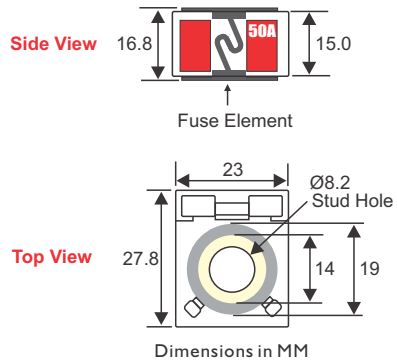
- Extensive amperage range 30A to 300A.
- Voltage rating 58VDC max.
- Ignition protected per SAE J1117.
- Weatherproof (IP66).
- Functional after 500 hours salt spray and salt fog test.
- Clear element window, visual indication of blown condition.
- Colour coded for easy amperage identification.
- Several mounting options. Accept mounting terminal size M8 max.
- Performance requirements per ISO8820-6.



Part Number	Ampere Rating	Face Colour
MRBF030	30A	Lt. Green
MRBF040	40A	Lt. Blue
MRBF050	50A	Red
MRBF060	60A	Gold
MRBF075	75A	Brown
MRBF080	80A	Lime
MRBF090	90A	Purple
MRBF100	100A	Yellow
MRBF125	125A	Green
MRBF150	150A	Orange
MRBF175	175A	White
MRBF200	200A	Blue
MRBF225	225A	Tan
MRBF250	250A	Pink
MRBF300	300A	Grey

Voltage: 58VDC
I.R.: 2kA at 58VDC, 5kA at 32VDC, 10kA at 14 VDC
Characteristic: Slow Acting
Pack Size: 1, 10, 100
Housing: UL-rated 94V0 thermoplastic
Body: Ceramic
Ring Terminals: Tin plated
Holders: Battery Fuse Bar.
Mounting: 1/4" -20 or M8 studs
Approvals: ISO8820-6 **SAE**

Transparent cover with colour coded front face.



Time Characteristic % of Amp Rating	Opening Time	
	Minimum	Maximum
100%	> 100hrs	-
135%	-	900 sec
200%	-	60 sec
350%	0.1 sec	1 sec
600%	-	<0.2 sec

RELATED PRODUCTS:



Marine Rated Battery Fuse Assortment Kit



Fuse Bar Single Pole Kit
(see p.2)



Fuse Bar Double Pole Kit
(see p.2)



Bussed Fuse Block Multi Pole
(see p.4)

NEW

Features:

- Suitable for DC Main, inverter, windlass and bow thruster circuit protection.
- Weatherproof, suitable for small locations & other harsh environments.
- Simple, economical and compact circuit protection system. Satisfies ABYC 7.
- Santoprene red or black insulating cap prevents accidental shorts.
- Provides high current protection in tight space constraints.
- Mounts on a battery post, battery switch or busbar.

Part Number	Pole Kit	Mount Hole	Stud	Cover
CFBAR1SP-KIT	Single	3/8" (M10)	1/4"-20	Red
CFBAR1SP-KITB	Single	3/8" (M10)	1/4"-20	Black
CFBAR1BP-KIT	Single	1/2" (M12)	1/4"-20	Red
CFBAR1BP-KITB	Single	1/2" (M12)	1/4"-20	Black
CFBAR1M8SPRK	Single	3/8" (M10)	M8	Red
CFBAR1M8SPBK	Single	3/8" (M10)	M8	Black
CFBAR2M8SPRK	Double	3/8" (M10)	M8	Red
CFBAR2M8SPBK	Double	3/8" (M10)	M8	Black



CFBAR1 Single Pole With Red Cover Kit



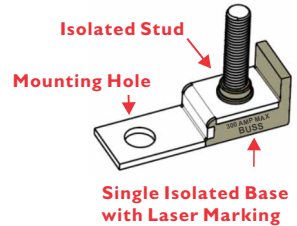
CFBAR2 Double Pole With Red Cover Kit

Rating: 300A max per CFBAR **Voltage:** 58VDC
Body: Thermoplastic PPS UL94-V0 **Busbar:** Nickel plated copper
Fuse Bar Stud: Stainless steel. Two options 1/4" -20 or M8.

Kit Contents: Includes S/S nuts, washers and insulating cover.

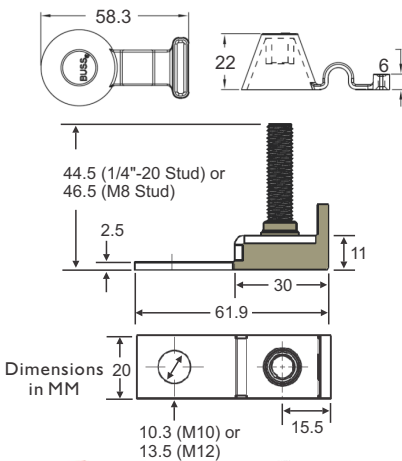
Battery Post Mounting Hole: Two options: 3/8" (M10) or 1/2" (M12).

Notes: The updated 'SP' version of the battery fuse bar does not require a special isolating nut so regular nuts and washers can be fitted to the stud(s).
 Fuses not included.



Single Isolated Base with Laser Marking

SINGLE POLE STUD COVER AND BAR

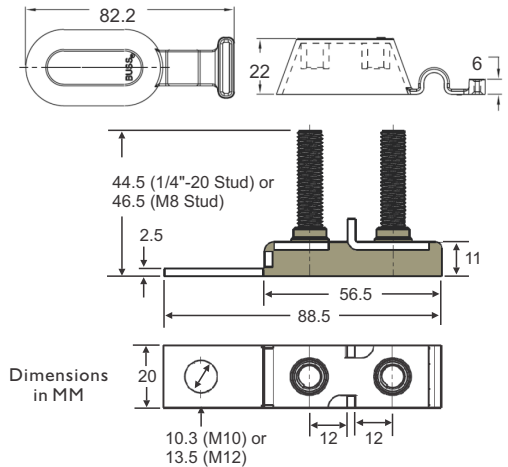


Red Cover

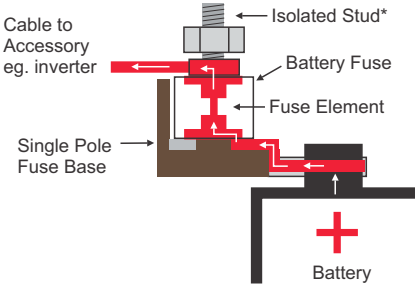


Black Cover

DOUBLE POLE STUD COVER AND BAR

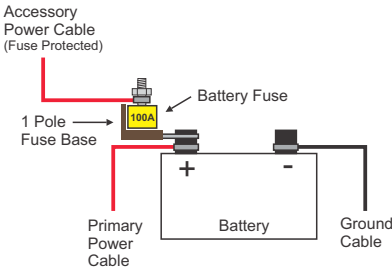


BATTERY FUSE POWER FLOW DIAGRAM

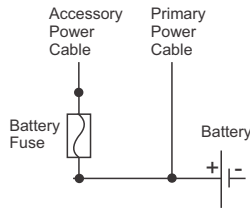


*The isolated stud is moulded into an insulated housing called the fuse bar. It has no direct contact with the battery or the energised fuse terminals. However, when the nut, washer & accessory cable are fastened down to make contact with the top of the fuse, the stud will become energized. This is why we recommend the use of the insulating cover. The stud will only be energised with power supplied via the fuse element, not directly from the battery.

SINGLE POLE - CFBAR1

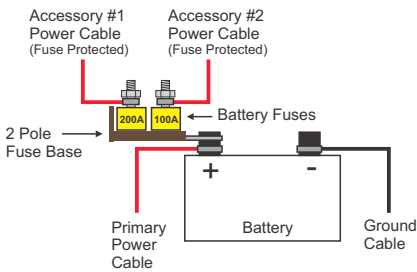


Connection Diagram

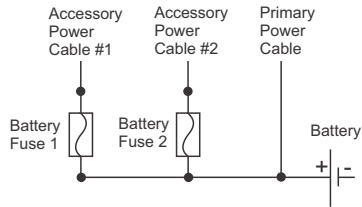


Circuit Diagram

DOUBLE POLE - CFBAR2



Connection Diagram



Circuit Diagram

4 POSITION MARINE RATED BATTERY FUSE BLOCK



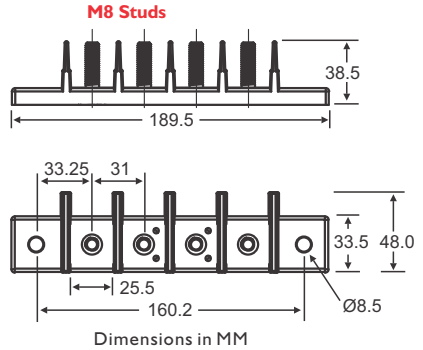
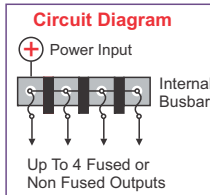
Features:

- All 4 positions are electrically connected via a internal bus bar.
- The block can accommodate up to four Marine Rated Battery Fuses.
- A single input power cable can be connected under one fuse to power all 4 positions or it can be connected to one stud to provide power to the remaining 3 fuse positions.
- Can distribute non-fused power or can be used as a grounding block.
- The studs are electrically isolated so standard hardware can be used.



Part Number	Description
0799C001ZXS	4 Way bussed battery fuse block

Block Rating: 500A max total.
Output Terminals: 300A fuse max.
Voltage: 58VDC
Mounting Torque: 25 Nm max
Studs: M8
Operating Temp.: -40 °C to 125 °C.
Notes: Fuses not included.
Approvals: ISO 8820-5



RELATED

PRODUCTS: MRBF fuses
See page I.

