

Diode, Resistor, Shunt and Transorb vehicle-style electrical protection devices easily install in common Mini fuse holders and provide voltage and current limiting functionality to vehicle circuitry.

| Part Number | Description | Profile | Brand |
|-------------|---|----------|-----------------------|
| 02400113P | Diode - 1A, (400V PIV). Keyed*. Reverse current protector. | Standard | Littelfuse |
| 22903-6 | Diode - 6A. Keyed*. Reverse current protector. | Tall | Bussmann |
| 22903-6V | Diode - 6A. Keyed & Wing*. Reverse current protector. | Tall | Bussmann |
| 22902-68 | Resistor - 5W. Resistance: 68Ω. Voltage drop device. | Tall | Bussmann |
| 0297900* | Shunt - 20A Maximum continuous load rating. | Standard | Littelfuse NEW |
| 22901-1.5 | Transorb - Clamp Rating: 27VDC. Power Rating: 1500W. Voltage spike protector. | Tall | Littelfuse |

Materials: Thermoplastic housing, grey with metal cover (229 series).
Thermoplastic housing, black (02400113P).

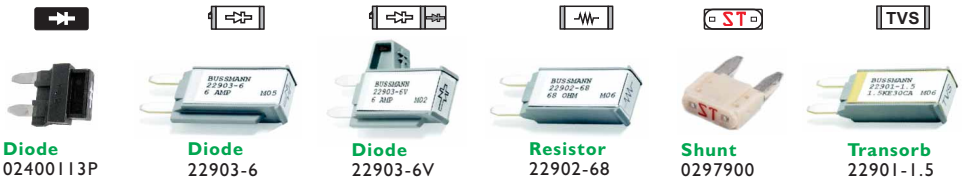
Termination Type: 2.8mm blades. Compatible with ISO 280 type fuse blocks.

Diode Key Feature*: Standard key denotes installation direction.

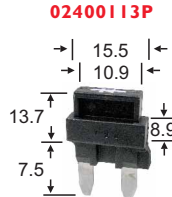
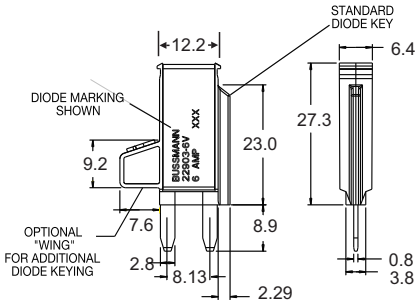
Wing key available for error proof installation in Bussmann VEC.

Holders: Please refer to our holder compatibility table on our QR datasheet.

Pack Size: Stock lines 1 pc. *Indent items contact sales



Dimensions in MM



PART NUMBER OVERVIEW

| Part Number | Description |
|-------------|------------------------------|
| 02400113P | Short Keyed Diode |
| 22903-6 | Tall Keyed Diode |
| 22903-6V | Tall Keyed Diode (with wing) |
| 22902-68 | Tall Resistor |
| 22901-1.5 | Tall Transorb |

HOLDER COMPATIBILITY TABLE FOR MINI TYPE DEVICES

| Holder Part Number | Holder Type | Input Bus | Catalog Page(s) | Resistor / Transorb | Keyed Diodes | | |
|-----------------------|----------------|--------------|--------------------|------------------------|-----------------|-----------------|------------------|
| | | | | Tall | Short | Tall | Tall with Wing |
| BPDMA104HXFI | PDU | Yes (x1) | 104 | No ² | Yes | No ² | No ³ |
| CFH-ALS | PDU | No | 105 | Yes | Yes | Yes | Yes ⁴ |
| CFH-ASS | PDU | No | 105 | No | Yes | No | No |
| PDM33003ZXM | PDU | No | 106 | Yes | Yes | Yes | Yes ⁴ |
| PDM31001ZXM | PDU | No | 107 | Yes | Yes | Yes | Yes ⁵ |
| PDM21001LXM | PDU | No | 108 | Yes | Yes | Yes | Yes ⁴ |
| PDM71001ZXM | PDU | No | TBA | Yes | Yes | Yes | Yes ⁴ |
| 15310-1-1 | PDU | No | 109 | No | No | No | No |
| 15310-1-2 | PDU | No | 109 | Yes | Yes | Yes | Yes ⁴ |
| PDMKIT001 | PDU | Yes (x2) | 110 | No ⁵ | No ¹ | No ¹ | No |
| PDMKIT002 | PDU | Yes (x2) | 111 | Yes | No ¹ | No ¹ | No |
| PDMKIT003 | PDU | Yes (x2) | 111 | Yes | No ¹ | No ¹ | No |
| PDMKIT004 | PDU | Yes (x2) | 110 | No ⁵ | No ¹ | No ¹ | No |
| 15303 series | PDU | Mixed | 112-113 | Yes ⁵ | No ¹ | No ¹ | No |
| 15401 series | PDU | Mixed | 114-115 | Yes | No ¹ | No ¹ | No |
| 01460K | PDU | No | 118-121 | No | No | No | No |
| 01510K | PDU | No | 118-121 | No | No | No | No |
| 01560K | PDU | No | 118-121 | No | No | No | No |
| 01640 | PDU | No | 118-121 | No | Yes | No | No |
| 01690 | PDU | No | 118-121 | No | No | No | No |
| 01698 | PDU | No | 118-121 | Yes | Yes | Yes | Yes ⁴ |
| FCB-26 | PCB Mount | No | 64 | Yes | Yes | Yes | Yes |
| 153008 | PCB Mount | No | 64 | Yes | No | No | No |
| FHM001 | INLINE | No | 69 | No | No | No | No |
| FHMB001B | INLINE | No | 69 | Yes | No | No | No |
| FHM002 | INLINE | No | 69 | No | No | No | No |
| 50152K | INLINE | No | 69 | Yes | No | No | No |
| 01435K | BLOCK | No | 83 | No | No | No | No |

Notes:

1. Diode key obstructed by module component layout sticker.
2. Cover is not tall enough ie. will not close. Fits if not using the cover.
3. Cover is not tall enough ie. will not close. Fits if not using the cover (but only 1 device can be installed).
4. Occupies 2 component positions due to the extra width of the wing.
5. Can only be fitted to an outer position, wing must rest on the outside edge of holder.
6. Shallow Cover is not tall enough ie. will not close. Deep cover must be used.