

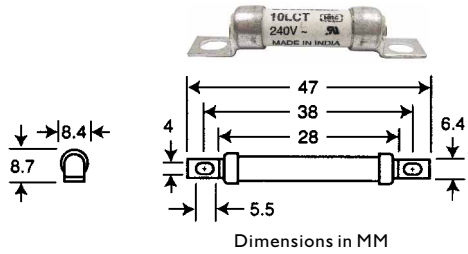


BRITISH SEMICONDUCTOR FUSES 240VAC / 150VDC

EATON Bussmann

Part Number	Ampere Rating	Total I ² t at 240V
6LCT	6A	9
10LCT	10A	22
12LCT	12A	32
16LCT	16A	100
20LCT	20A	160



I.R.: 200kA at 240VAC **Voltage:** 240VAC / 150VDC
Characteristic: Type aR, Very Fast Acting
Pack Size: I
Notes: Previously 381-FF Series.
 Cartridge version 25mm x 8.4mm.
Approvals: BS88-4 IEC  

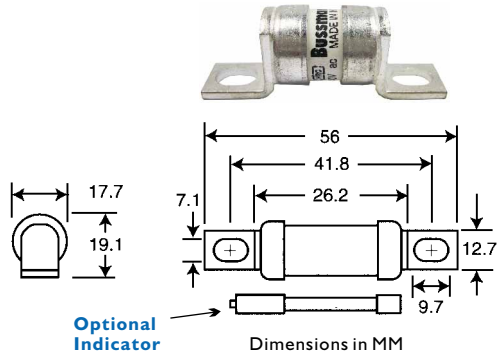


BRITISH SEMICONDUCTOR FUSES 240VAC / 150VDC

EATON Bussmann

Part Number	Ampere Rating	Total I ² t at 240V
10LET	10A	23
12LET	12A	31
16LET	16A	59
20LET	20A	100
25LET	25A	250
32LET	32A	450
35LET	35A	600
50LET	50A	1 400
63LET	63A	2 200
80LET	80A	3 800
100LET	100A	7 500
125LET	125A	7 500
160LET	160A	16 000
180LETA	180A	29 000

I.R.: 200kA at 240VAC **Voltage:** 240VAC / 150VDC
Characteristic: Type aR, Very Fast Acting
Pack Size: I
Holders: Blocks (p134-136)
Indicator & Microswitch Options: (p48)
Notes: Previously 421-FF Series.
Approvals: BS88-4 IEC  



RELATED PRODUCTS



BRITISH SEMICONDUCTOR FUSES 240VAC / 150VDC

EATON Bussmann

Part Number	Ampere Rating	Total I ² t at 240V
160LMT	160A	16 000
200LMT	200A	20 000
250LMT	250A	40 000
315LMT	315A	75 000
355LMT	355A	100 000
400LMT	400A	160 000
450LMT	450A	220 000

I.R.: 200kA at 240VAC **Voltage:** 240VAC / 150VDC
Characteristic: Type aR, Very Fast Acting
Pack Size: I
Holders: Blocks (p135-136)
Indicator & Microswitch Options: (p48)
Notes: Previously 571-FF Series
Approvals: BS88-4 IEC 