

This sealed power distribution module is an internally bussed and connectorized unit, suitable for mounting in rugged commercial vehicle applications. This unit has dense concentration of high power circuits and accepts plug devices like automotive fuses, diodes and relays to protect and control complex electrical systems. An internal Printed Circuit Board (PCB) provides bussed connections to a large number of devices. You decide which fuses and which wires

Features

- 2 Individual power input circuits power fuses and relays using internal buses.
- Stand-alone relays & fuses for separate power sources.
- Cover is tethered to the module to prevent misplacement.
- Custom configurations available.
- Module is rated to 200A max load.
- Vent plug located at the base of the unit.
- Sealed rugged enclosure (IP67/69K) protects internal circuitry from harsh environments such as high shock, vibration, as well as moisture and contaminants.

Part Number:	Description
LFLX0006Z-01	Standard Unpopulated PDM & Cover for Up to 27 x Mini Fuses Up to 9 x ISO280 Micro Relays 4 or 5 Pin* Note:*Pin 87a is not used on some relays.

Voltage: 12VDC (with 12V relays fitted)
24VDC (with 24V relays fitted)

Rating: Max Load 200A.

Power Input: Multiple sources via connector terminals.

Wire Sizes: 0.5mm² to 2.5mm²

Fuse Ratings: Max fuse ratings shown in circuit diagram.

Connectors (x4): Tyco HDSCS with AMP MCP terminals.

Base: Includes vent for pressure equalization.

Ingress Protection Rating: IP67/69K

Body Gasket: Silicone.

Body & Cover Material: Pet glass filled (UL94-V0)

Mounting: Surface Mount.

Custom Options: Please contact sales.

Temperature Rating: -40 °C to +85 °C.

Bolt Mounting Torque: 6 - 8 Nm

Notes: Connectors, fuses & relays are not included.

Internal Circuit Summary

Power input 1 supplies:

- 2 x SPST relays supply fuse protected power*.
- 1 x Fuse protected output (relay by-pass).
- 15 Mini fuses.

Power input 2 supplies:

- 3 x SPST relays supply fuse protected power*.
- 2 x SPDT ISO280 Micro relays*.
- 5 Mini fuses.

Stand-alone circuits (independent power):

- 1 x SPST ISO280 Micro relay*.
- 2 x SPDT ISO280 Micro relays*.
- 1 x SPDT ISO280 Micro relay.
- 2 Mini fuses.

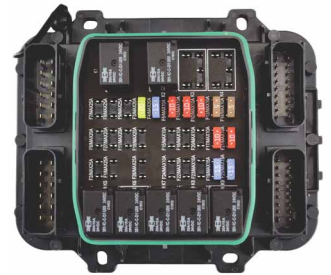
*Relay coil is connected to the common ground stud.



NEW

IP67

IP69K



ACCESSORIES: TYCO HDSCS CONNECTORS

Part Number	Connector	Poles	Terminals
1-1670901-1	J1	12	AMP MCP 2.8 (12pcs)
2-1670901-1	J2	12	AMP MCP 2.8 (12pcs)
3-1563759-1	J3	18	AMP MCP 1.5k (18pcs)
1-1563759-1	J4	18	AMP MCP 1.5k (18pcs)

ACCESSORIES: AMP MCP 1.5k

TERMINALS: TANGED

Female
Copper Nickel / Tin plated



CABLE SEALS:

Silicone



CAVITY PLUG:

Silicone



Part Number	Wire (AWG)	Wire (mm ²)	Part Number	Cable Dia.(mm)	Colour	Cavity Plugs	Colour
1564325-1	-	0.2 - 0.35mm ²	964971-1	1.2 - 1.6 dia.	Red	963531-1	White
1241381-1	#20 - #16	0.5 - 1.0mm ²	963530-1	1.4 - 1.9 dia.	Gray		
1418885-1	#16 - #15	1.0 - 1.5mm ²	964972-1	1.9 - 2.4 dia.	Yellow		

Note: AMP MCP 1.5k terminals are rated to 20A max. at 20 °C ambient temperature.

ACCESSORIES: AMP MCP 2.8

TERMINALS: TANGED

Female
Copper Nickel / Tin plated



CABLE SEALS:

Silicone



CAVITY PLUG:

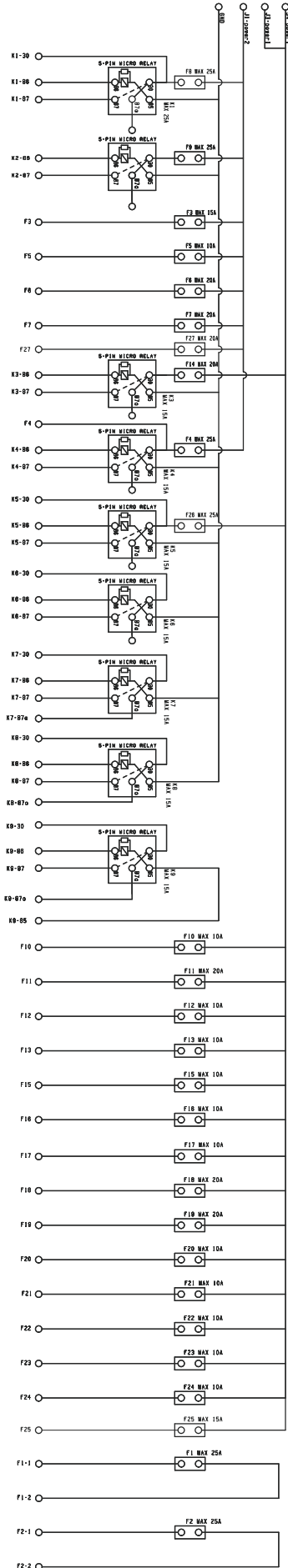
Silicone



Part Number	Wire (AWG)	Wire (mm ²)	Part Number	Cable Dia.(mm)	Colour	Cavity Plugs	Colour
1-968875-1	#20 - #16	0.5 - 1.0mm ²	828904-1	1.2 - 2.1 dia.	Blue	828922-1	Clear
1-968876-1	#16 - #14	1.0 - 2.5mm ²	828905-1	2.2 - 3.0 dia.	White		
1-968877-1	#12	4.0mm ²					

Note: AMP MCP 2.8 terminals are rated to 40A max. at 20 °C ambient temperature.

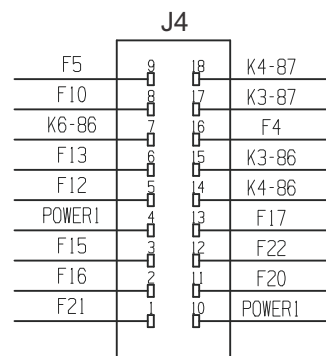
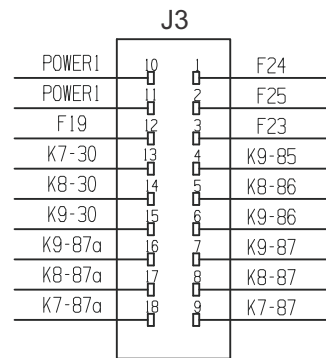
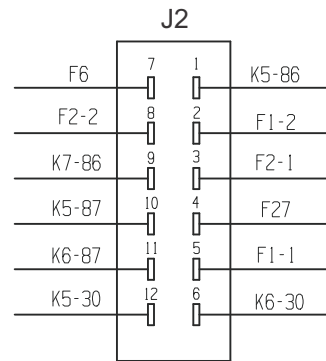
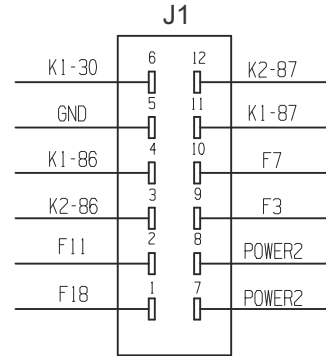
Internal Circuit Diagram



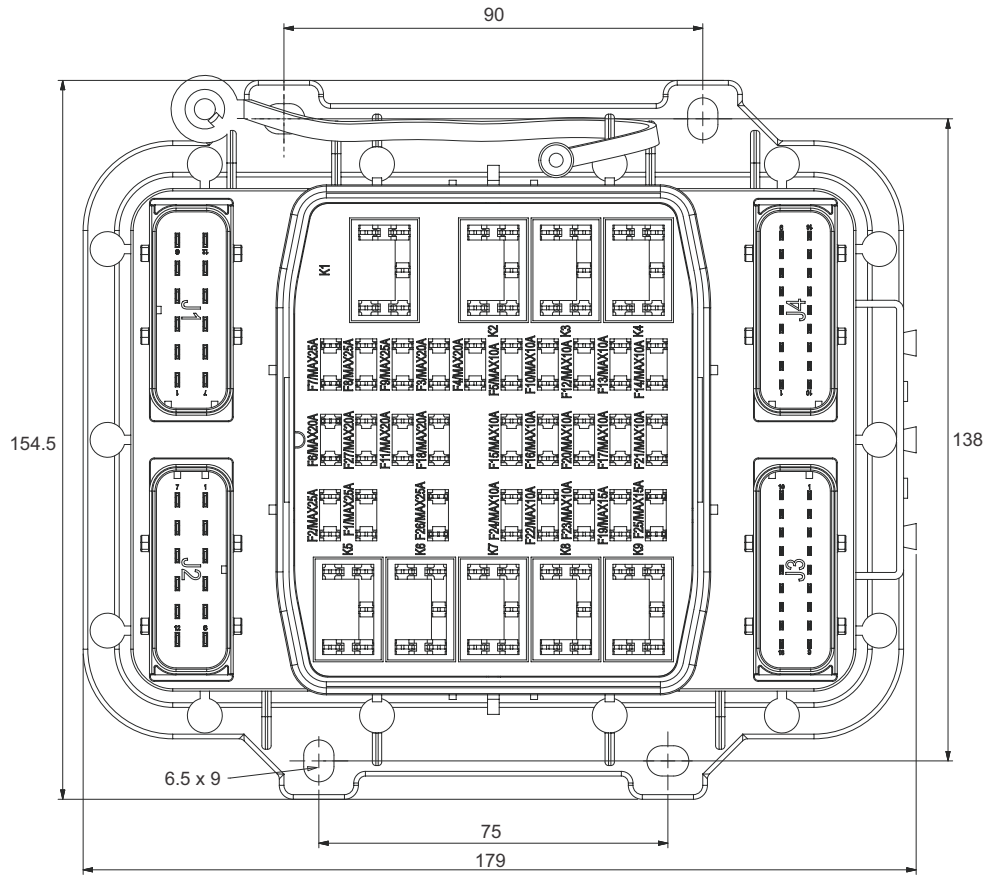
Notes:

1. All fuses must not exceed 70% of rated current.
2. Max. Main Input: 160A at 85 deg C
Power 1 max. 70A, Power 2 max. 60A
External current max. 30A.

Connector Wiring



Dimensions



Dimensions in MM

