

MAXI FUSE 58V



Part Number	Ampere Rating	Body Colour
MAX030-58V	30A	Green
MAX040-58V	40A	Orange
MAX050-58V	50A	Red
MAX060-58V	60A	Blue
MAX080-58V	80A	Natural



Voltage: 58VDC

I.R.: 1000A at 58VDC

Characteristic: Slow Acting

Features: Element window.

Terminals: Zinc alloy.

Pack Size: 1, 10, 100, 500, 1000.

Holders: Fuse Clips, Inline, Power Distribution Modules.

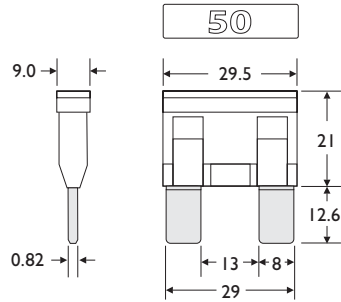
Notes: *Please contact sales for specifications.

For other ampere ratings contact sales.

Complies With: ISO 8820-3 RoHS



RELATED PRODUCTS: Fuse Puller (see p.44)



Dimensions in MM

FUSES + KITS

MAXIPLUS COMPACT FUSE 32V



The MAXI+® Fuse is new standard for vehicle circuit protection. Its miniature design meets the need for more circuits to be protected while utilizing less space, and its ability to cope with high temperatures in adverse environments makes the MAXI+® Fuse of recommended choice for protection.



Part Number	Ampere Rating	Body Colour
MAXP020	20A	Yellow
MAXP025	25A	Grey
MAXP030	30A	Green
MAXP035	35A	Brown
MAXP040	40A	Orange
MAXP050	50A	Red
MAXP060	60A	Blue



Voltage: 32VDC

I.R.: 1000A at 32VDC

Characteristic: Slow Acting

Component Level Temperature Range: -40°C to +125°C

System Level Temperature Range: -40°C to +105°C

105°C is a typical system level temperature requirement.

Terminals: Zinc alloy, silver plated.

Features: Maxi fuse opaque case to see fuse element.

Holders: Fuse Clips, Inline, PDM's contact sales for details.

Pack Size: 1, 10, 100, 500, 1000

Approvals: ISO 8820-10: 2020

RELATED PRODUCTS:



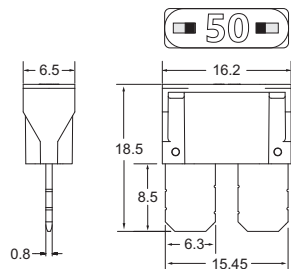
Terminals F630E
(0.35 - 6.0mm²)



Inline Fuse Holder
(# 0101881 contact sales)



Fuse & Relay Module
(# 0101695 contact sales)



Dimensions in MM



Email: info@prolecproducts.com.au
Web: www.prolecproducts.com.au