

CIRCUIT BREAKERS - AUTO BLADE L.P 28V

EAT·N Bussmann

Features:

- Low profile design.
- Ignition Protected.
- Colour coded body matches amperage ratings.
- Matches auto fuse footprint of 5.2mm wide blades making it compatible with existing auto fuse fuse blocks and panels.
- Manual reset button with protective walls.

28VDC

Manual TIII	Ampere Rating	Body Colour
Part Number	Rating	Colour
22705-00	5A	Tan
22706-00	6A	Green
22775-00	7.5A	Brown
22710-00	10A	Red
22715-00	15A	Blue
22720-00	20A	Yellow
22725-00	25A	White
22730-00	30A	Green

Voltage: 28VDC **I.R.:** 2000A @ 28VDC

Reset Mechanism: Type III, Manual Reset.

Features: Ignition Protected

Body: UL-Rated 94V-0 thermoplastic.

Terminals: Tin plated copper alloy.

Operating Temp: -40°C to 85°C **Storage Temp:** -40°C to 125°C

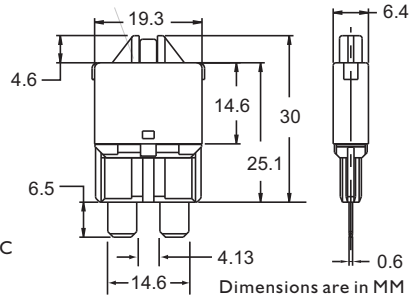
Pack Size: 1, 10, 100, 250

Holders: Inline, Blocks, Panels and DIN Rail Fused Terminals.

Approvals: SAE J553, J1171.



IGNITION
PROTECTED



CIRCUIT BREAKERS

CIRCUIT BREAKERS - AUTO BLADE 72V

MORSETTITALIA

Features:

- Miniaturised single pole thermal circuit breaker.
- Low to middle amperages.
- Suitable for both AC and DC Voltage.
- Manual push on push off button.
- Reliable snap-acting and trip-free mechanism.
- Labeling feature. Equivalent to E-T-A I180

72VDC

Manual TIII - PTT	Ampere Rating
Part Number	Rating
435T0025	250mA
435T0050	500mA
435T0100	1A
435T0200	2A
435T0300	3A
435T0400	4A
435T0600	6A
435T0800	8A
435T1000	10A

Voltage: 250VAC / 72VDC (UL & CSA)

250VAC / 65VDC (VDE)

I.R.: 2000A @ rated voltage (UL)

Reset Mechanism: Type III, Manual Reset / Manual Trip

Typical life: 6,000 operations at 1 x I_n (low-inductance)

3,000 operations at 1 x I_n (inductive)

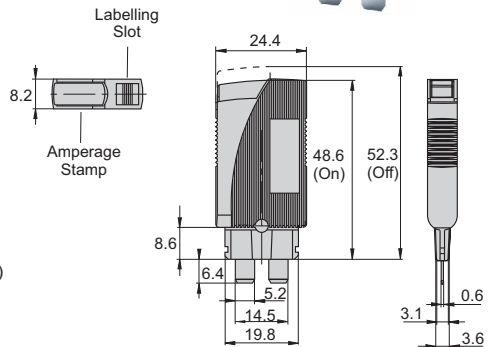
500 operations at 2 x I_n (inductive)

Operating Temp: -20°C to 60°C

Pack Size: Stock lines 1pc, indent items 20pcs.

Holders: DIN rail mount fused terminal blocks (Page 148)

Approvals: CBE standard EN/IEC 60934



PROLEC

Email: info@prolecproducts.com.au
Web: www.prolecproducts.com.au