

CIRCUIT BREAKERS - AUTO BLADE TYPE

12VDC		12VDC		Ampere Rating
Automatic TI	Part Number	Modified TII	Part Number	
	22105-400		22205-400	5A
	22175-400		22275-400	7.5A
	22110-400		22210-400	10A
	22115-400		22215-400	15A
	22120-400		22220-400	20A
	22125-400		22225-400	25A
	22130-400		22230-400	30A



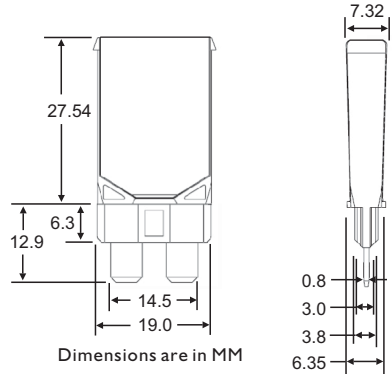
Automatic TI



Modified TII

IGNITION
PROTECTED

Voltage: 14VDC
I. R.: 150A at 14VDC (5A to 10A)
 225A at 14VDC (15A)
 300A at 14VDC (20A)
 450A at 14VDC (25A to 30A)
Operating Temp: -40°C to 85°C
Storage Temp: -40°C to 125°C
Material: UL 94-V0 Thermoplastic housing.
 Type I (Gold Metal Cover),
 Type II (Silver Metal Cover)
Features: Ignition Protected
Holders: Blocks
Pack Size: Stocked lines I, Indent items 250pcs.
Approvals: SAE J553, J1171



CIRCUIT BREAKERS

RELATED PRODUCTS:



CIRCUIT BREAKERS - AUTO BLADE LOW PROFILE

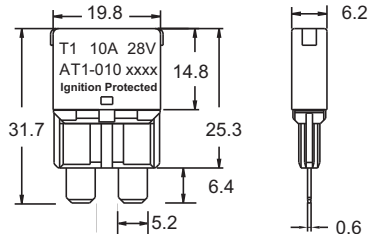
24VDC		Ampere Rating	Body Colour
Automatic TI	Part Number		
	AT1-005	5A	Tan
	AT1-075	7.5A	Brown
	AT1-010	10A	Red
	AT1-015	15A	Blue
	AT1-020	20A	Yellow
	AT1-025	25A	White
	AT1-030	30A	Green



NEW

IGNITION
PROTECTED

Voltage: 28VDC
I. R.: 2000A at 28VDC
Reset Mechanism: Type I, Automatic Reset
Operating Temp: -30°C to 75°C
Storage Temp: -30°C to 105°C
Material: UL 94-V0 Thermoplastic housing.
Features: Ignition Protected, Low Profile Housing
Holders: Blocks
Pack Size: I, 10, 100, 250pcs.
Compliance: SAEJ553, SAE J1171



RELATED PRODUCTS:

